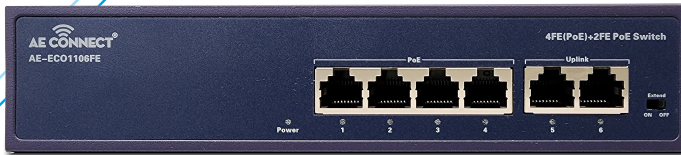


# AE-ECO1106FE

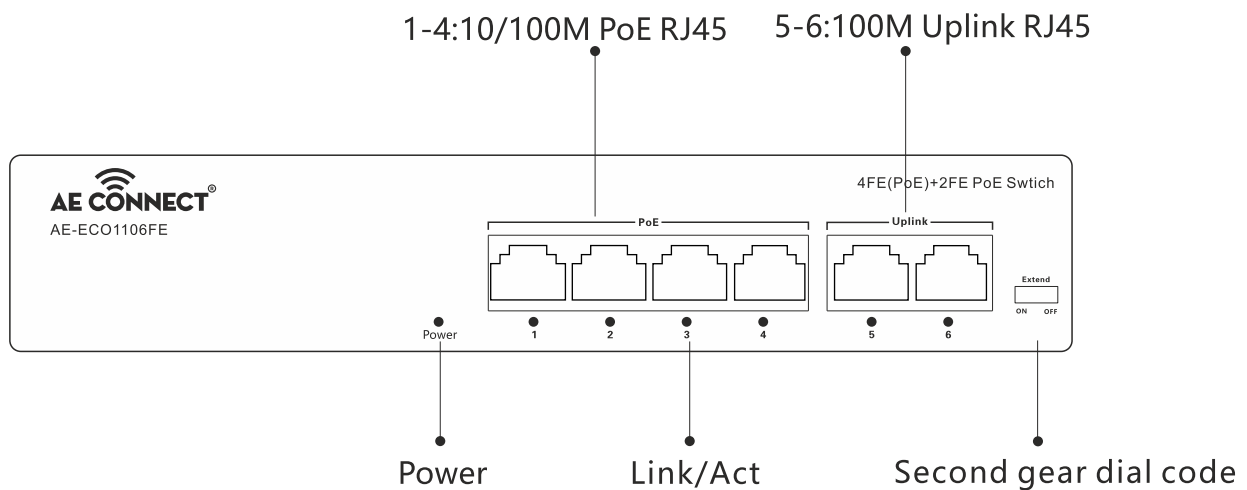
## 6 Port 100M PoE+ Switch



### FEATURES

- 4 x 10/100 PoE+ Ports
- Internal Power Supply: 65W
- 2 x 10/100 Uplink Ports
- Highly Protected
- 3 Modes: CCTV/V-LAN/ Extended
- 250Mtr Long Distance

### PRODUCT DISCRPTION



| Indicator light | Status   | Discription   |
|-----------------|----------|---|
| 1-6             | On       | Port is connected   |
|                 | Flashing | Port is transmitting data                                     |
|                 | Off      | The port is not connected, or the connection is abnormal      |
| Power           | On       | The power supply of the switch is normal                      |
|                 | Off      | The switch is not powered on, or the power supply is abnormal |

| Interface/ button     | Discription   |
|-----------------------|---|
| Downlink Ports        | 1-4:10/100M PoE RJ45 ports, support Auto-MDI/MDIX functon.  |
| Uplink Ports          | 5-6: 100M RJ45 Uplink ports   |
| Second gear dial code | <ul style="list-style-type: none"> <li>• When the switch is set to "OFF", the switch is a normal PoE+ switch and all ports can communicate with each other.</li> <li>• When the switch is set to "ON", all downstream ports of the switch become 10M, and the transmission distance can be up to 250m.</li> </ul> |

**AE-ECO1106FE**
**6 Port 100M PoE+ Switch**
**SPECIFICATIONS**

|                             |  |                                |
|-----------------------------|--|--------------------------------|
| Name                        | 6 Ports 100M PoE+ Switch   |                                |
| Model                       | AE-ECO1106FE   |                                |
| Interface                   | PoE+Ports  | 1-4:10/100Mbps RJ45 Ports      |
|                             | Uplink Ports   | 5-6: 100Mbps RJ45 Uplink Ports |
| PoE Power Supply            | MAX PoE output   | 30W                            |
|                             | Total power supply   | 65W                            |
|                             | Priority Function  | Support                        |
| LED                         | Power, Link/Act  |                                |
| Processing Types            | Store-and-Forward  |                                |
|                             | Half-duplex back pressure and IEEE802.3x full-drxlex flow control                          |                                |
| Performance Specification   | Bandwidth  | 1.2Gbps                        |
|                             | Packet Forwarding Rate   | 0.89Mpps                       |
|                             | MAC Address  | 2k                             |
| Network Standards           | IEEE802.31 10BASE-T<br>IEEE802.3u 100BASE-TX<br>IEEE802.3x Flow Control<br>IEEE802.3az EEE |                                |
| Power Input                 | 90-264AC - CE CERTIFIED  |                                |
| Size                        | 200mm(L) 133mm(w)*44mm(H)  |                                |
| Cables                      | UTP category 5 or above cable  |                                |
| Environmental Specification | Working Temperature: 0°C-50°C, Humidity: 10%-90% non-condensing                            |                                |
|                             | Storage Temperature: -20°C-70°C, Humidity: 5%-95% non-condensing                           |                                |

**AE-ECO1106FE****6 Port 100M PoE+ Switch****INSTALLATION NOTES**

To install the switch, please follow the steps:

- (1) This PoE+ switch is only used indoor please place it in ventilated and dry space.
- (2) Please avoid placing the switch on an unsteady desk.
- (3) Please insert the power adapter carefully to the power Socket of the switch, and then connect it properly to a power source through the cable of the switch.
- (4) Ensure adequate ventilation space(210cm) around the switch for dissipating heat and air.
- (5) Please avoid any heavy thing placed on the switch.
- (6) Please use the attached power adapter.

**CONNECTING THE UNIT**

- (1) Please respectively connect two ends of the cable to the switch port and computer or other network devices.
- (2) Please separately link the ends of the included power supply configuration to power jack and socket.
- (3) The Power indicator will light all the time