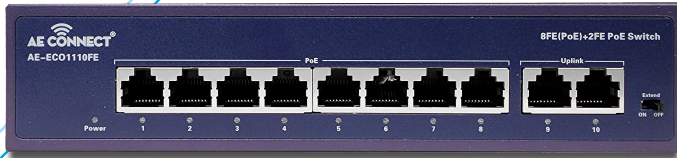


AE-ECO110FE

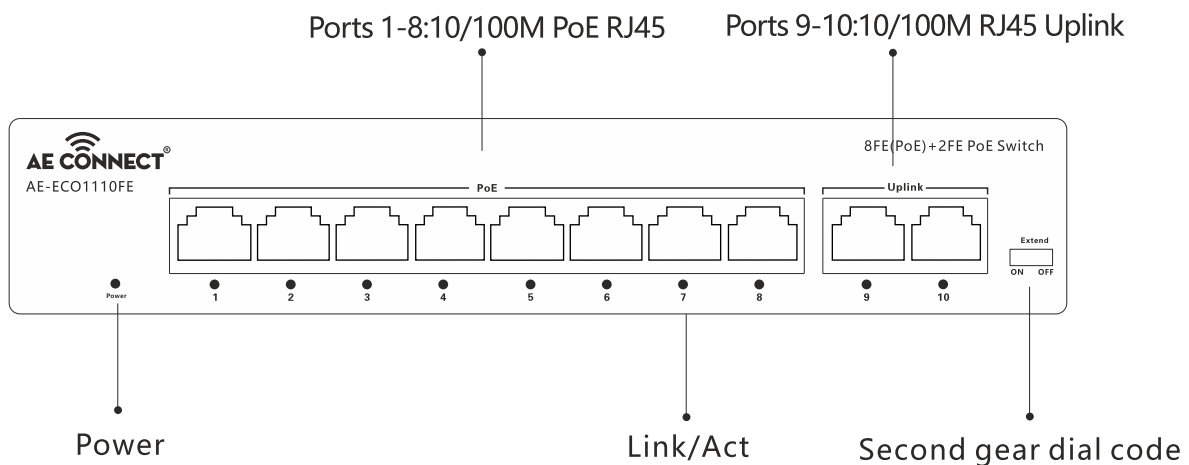
10 Port 100M PoE+ Switch



FEATURES

- 8 x 10/100 PoE+ Ports
- Internal Power Supply: 120W
- 2 x 10/100 Uplink Ports
- Highly Protected
- 3 Modes: CCTV/V-LAN/ Extended
- 250Mtr Long Distance

PRODUCT DISCRPTION



| Indicator light | Status | Discription |
|-----------------|----------|---|
| 1-10 | On | Port is connected |
| | Flashing | Port is transmitting data |
| | Off | The port is not connected, or the connection is abnormal |
| Power | On | The power supply of the switch is normal |
| | Off | The switch is not powered on, or the power supply is abnormal |

| Interface/ button | Discription |
|-----------------------|---|
| RJ45 Port | 8*100M PoE RJ45 ports, support Auto-MDI/MDIX functon |
| Uplink Ports | 2*100M RJ45 Uplink ports |
| Second gear dial code | <ul style="list-style-type: none"> • When the switch is set to "OFF", the switch is a normal PoE+ switch and all ports can communicate with each other. • When the switch is set to "ON", all downstream ports of the switch become 10M, and the transmission distance can be up to 250m. |

AE-ECO1110FE
10 Port 100M PoE+ Switch
SPECIFICATIONS

| | | |
|-----------------------------|--|----------------------------|
| Name | 10 Ports 100M PoE+ Switch | |
| Model | AE-ECO1110FE | |
| Interface | PoE+Ports | 1-8:10/100Mbps RJ45 Ports |
| | Uplink Ports | 9-10:10/100Mbps RJ45 Ports |
| PoE Power Supply | MAX PoE output | 30W |
| | Total power supply | 96W |
| | Priority Function | Support |
| LED | Power, Link/Act | |
| Processing Types | Store-and-Forward | |
| | Half-duplex back pressure and IEEE802.3x full-drxlex flow control | |
| Performance Specification | Bandwidth | 2Gbps |
| | Packet Forwarding Rate | 1.488Mpps |
| | MAC Address | 2k |
| Network Standards | IEEE802.31 10BASE-T IEEE802.3u 100BASE-TX IEEE802.3x Flow Control IEEE802.3az EEE | |
| Power Input | AC 100-240V | |
| Size | 200mm(L)* 133mm(w)*44mm(H) | |
| Cables | UTP category 5 or above cable | |
| Environmental Specification | Working Temperature: 0°C-50°C, Humidity: 10%-90% non-condensing | |
| | Storage Temperature: -20°C-70°C, Humidity: 5%-95% non-condensing | |

AE-ECO110FE**10 Port 100M PoE+ Switch****INSTALLATION NOTES**

To install the switch, please follow the steps:

- (1) This PoE+ switch is only used indoor please place it in ventilated and dry space.
- (2) Please avoid placing the switch on an unsteady desk.
- (3) Please insert the power adapter carefully to the power Socket of the switch, and then connect it properly to a power source through the cable of the switch.
- (4) Ensure adequate ventilation space(210cm) around the switch for dissipating heat and air.
- (5) Please avoid any heavy thing placed on the switch.
- (6) Please use the attached power adapter.

CONNECTING THE UNIT

- (1) Please respectively connect two ends of the cable to the switch port and computer or other network devices.
- (2) Please separately link the ends of the included power supply configuration to power jack and socket.
- (3) The Power indicator will light all the time